

GENTEC INDUSTRIAL HIGH VOLTAGE CAPACITORS

3 PHASE CAPACITOR UNIT SPECIFICATION

- INDOOR AND OUTDOOR TYPE WITH TERMINAL COMPARTMENT.
- RATED VOLTAGE: 4160 VOLTS, 3 PHASES, 60 Hz.
- TEMPERATURE CATEGORY: -40°C / +45°C.
- INSULATION CLASS: 60 KV BIL.
- IMPREGNATED ALL-FILM DIELECTRIC.
- INTERNAL DISCHARGE RESISTOR, LESS THAN 50 VOLTS IN 300 SEC.

STANDARD DESIGN

- STANDARD TO BE APPLIED: CSA, IEC AND ANSI / IEEE
- THE SINGLE CAPACITOR UNITS ARE EQUIPPED WITH LINE TERMINALS.
THE MULTIPLE CAPACITOR UNITS, COME WITH BUS BARS AND LUGS.
- CAPACITOR TERMINAL COMPARTMENT IS MADE OF STEEL AND LIGHT GREY PAINTED.
- FLOOR MOUNTING BRACKETS.

OPTION

- ADD SUFFIX 2F (FOR 2 FUSES) OR F (FOR 3 FUSES)
- BLOWN FUSE INDICATION (BFI) SEE DRAWING #SK-6220

3 PHASE CAPACITOR ASSEMBLY 4160 VOLTS, 60Hz									
**KVAR	PART NUMBER			FIGURE	WEIGHT Kg (LBS)	FUSE		DIMENSIONS MM (INCHES)	
	STYLE	CAT. NO.	*TYPE			AMP.	PART NO.	A	B
25	HVCE-31151-XX			1	29 (64)	25	70-21770	690 (27.3)	190 (7.5)
50	HVCE-31152-XX			1	29 (64)	25	70-21770	690 (27.3)	190 (7.5)
75	HVCE-31153-XX			1	29 (64)	25	70-21770	690 (27.3)	190 (7.5)
100	HVCE-31154-XX			1	31 (68)	50	70-21767	740 (29.1)	240 (9.4)
125	HVCE-31155-XX			1	35 (76)	50	70-21767	760 (30.0)	260 (10.2)
150	HVCE-31156-XX			1	37 (80)	50	70-21767	820 (32.3)	320 (12.6)
175	HVCE-31157-XX			1	39 (85)	50	70-21767	835 (32.9)	340 (13.4)
200	HVCE-31158-XX			1	42 (92)	50	70-21767	835 (32.9)	340 (13.4)
225	HVCE-31319-XX			1	45 (98)	50	70-21767	905 (35.6)	405 (15.9)
250	HVCE-31320-XX			1	50 (110)	50	70-21767	905 (35.6)	405 (15.9)
275	HVCE-31321-XX			1	50 (110)	75	70-21768	980 (38.6)	480 (18.9)
300	HVCE-31322-XX			1	52 (114)	75	70-21768	980 (38.6)	480 (18.9)
400	HVCE-2-31158-XX			2	68 (150)	50	70-21767	835 (32.9)	340 (13.4)
500	HVCE-2-31320-XX			2	85 (186)	50	70-21767	905 (35.6)	405 (15.9)
600	HVCE-2-31322-XX			2	88 (194)	75	70-21768	980 (38.6)	480 (18.9)
900	HVCE-3-31322-XX			3	124 (273)	75	70-21768	980 (38.6)	480 (18.9)

*XX IS FOR ENCLOSURE TYPE. **01** INDOOR, **04** OUTDOOR, **12** DUSTPROOF

**FOR OTHER CAPACITY, CONTACT FACTORY

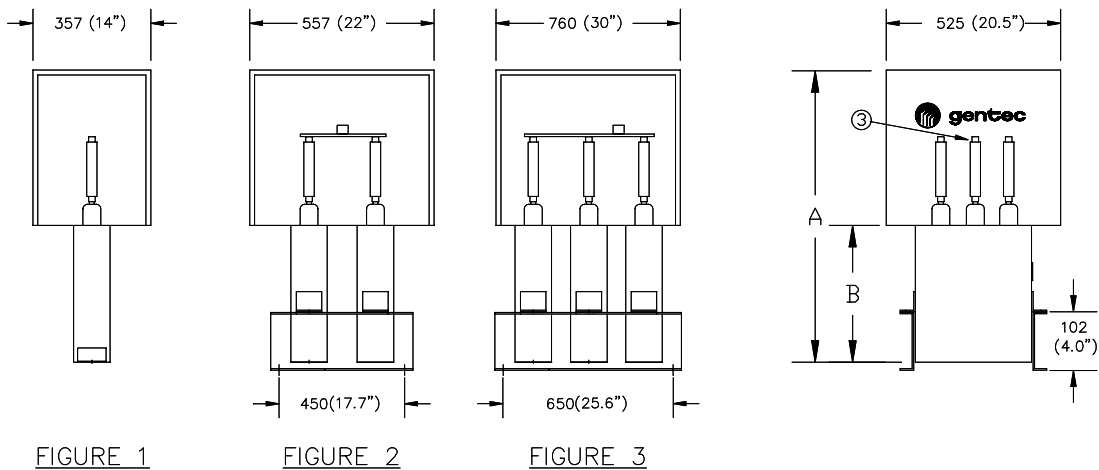


FIGURE 1

FIGURE 2

FIGURE 3

ISO 9000
CERTIFICATION

IEEE

gentec

SK-6030
03/11/14