

SURGE PROTECTION FOR A.C ROTATING MACHINES

SINGLE POLE SURGE CAPACITOR UP TO 36000 VOLTS SC1000 SERIES

APPLICATION NOTE: Indoor or outdoor- for rotating AC machines such as motors, generators, and synchronous condensers: install as close as possible to machine terminals.

Select capacitor according to the normal phase-to-phase (L/L) voltage rating of the rotating Ac machines, regardless of whether the circuit has an effectively grounded or ungrounded neutral.

Capacitors of 0.5 microfarads per pole are used for 2400 to 7200 volt machines whether the machine neutral is ungrounded or adequately grounded.

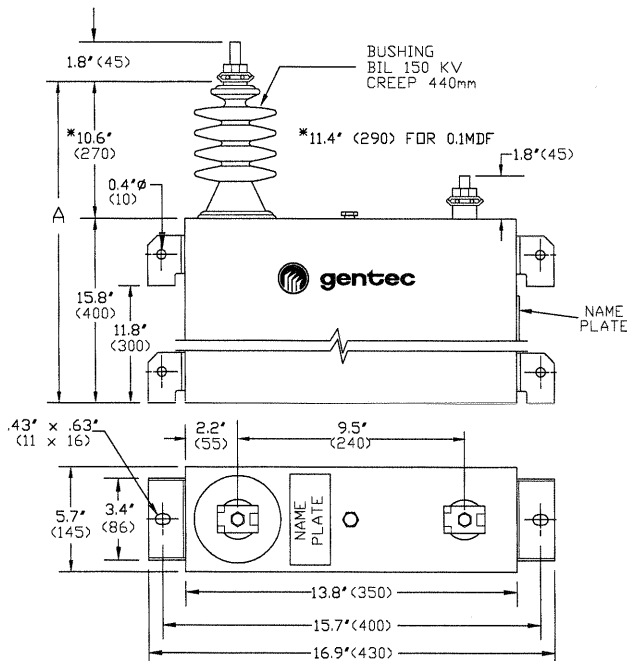
For 11.5 kV or 13.8 kV machine, whose neutral is adequately grounded, capacitors of 0.25 microfarads per pole are applied at or near the machine terminals.

If not adequately grounded, the machine neutral is considered grounded as far as effects on the reflected voltage are concerned, if the impedance between neutral and ground does not exceed 50 ohms of resistance, or 0.2 ohms of 60 Hz. reactance per 100 ohms of winding surge impedance. This grounding is from the standpoint of surge reflexion only, and does not necessarily determine whether the system is or is not effectively grounded for the purpose of selecting a voltage rating for the arrester.

The capacitors are suitable for continuous operation at a maximum permissible operating voltage of 110 percent of the rating (RMS including harmonics), and may be applied on 25, 40, 50 or 60 Hz. Each surge capacitor are built for -40/+40°C (-40/+100°F) operating temperature.

The line terminal will take #10 solid to #2 stranded AWG cable. The terminal connector is cast bronze, tin plated.

NOTE: Any individual style number single pole surge capacitor may be applied on any voltage system up to, and including the voltage shown as maximum phase to phase (L/L) voltage, in phase-neutral configuration.



'SURGE CAPACITOR' SINGLE PHASE 1 BUSHING, INDOOR OR OUTDOOR (50/60Hz)							
MFD PER POLE	PARTS NUMBER	VOLTAGE CLASS (L/L)	BIL KV	WEIGHT		DIMENSIONS A	
				LBS	KG	INCHES	MM
0.10	QSL5	7.9/13.8kV	150	80	36	26.4	670
0.10	QSL5	25kV	150	80	36	26.4	670
0.20	QSL5	7.9/13.8kV	150	80	36	26.4	670
0.20	QSL5	25kV	150	80	36	26.4	670
0.25	QSL5	7.9/13.8kV	150	80	36	26.4	670
0.25	QSL5	25kV	150	80	36	26.4	670
0.50	QSL5	7.9/13.8kV	150	70	32	26.4	670
0.50	QSLR	25kV	150	70	32	26.4	670
0.10	QSLR	36kV	175	84	38	27.2	690

STANDARD TO
BE APPLIED

IEC



gentec
NOKIAN CAPACITORS

SK-6175

06/06/20