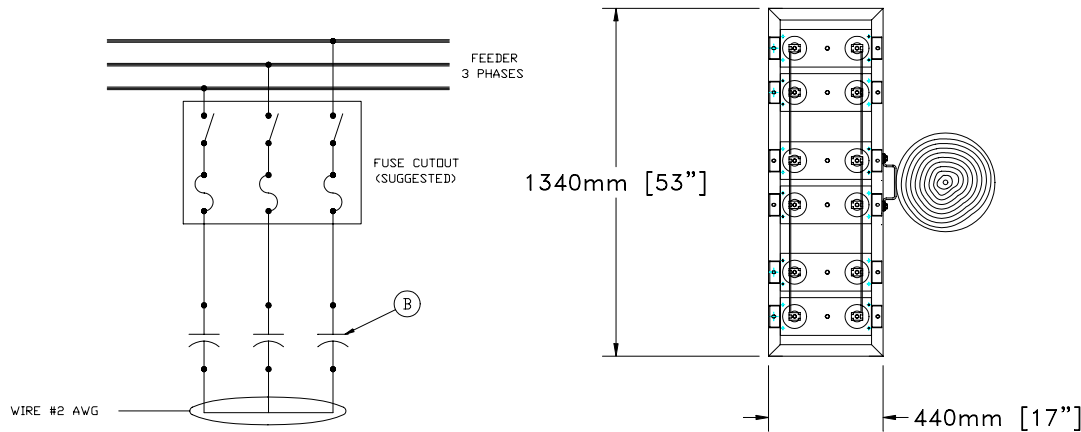


POLE MOUNTED CAPACITOR BANK
PM1000 SERIES

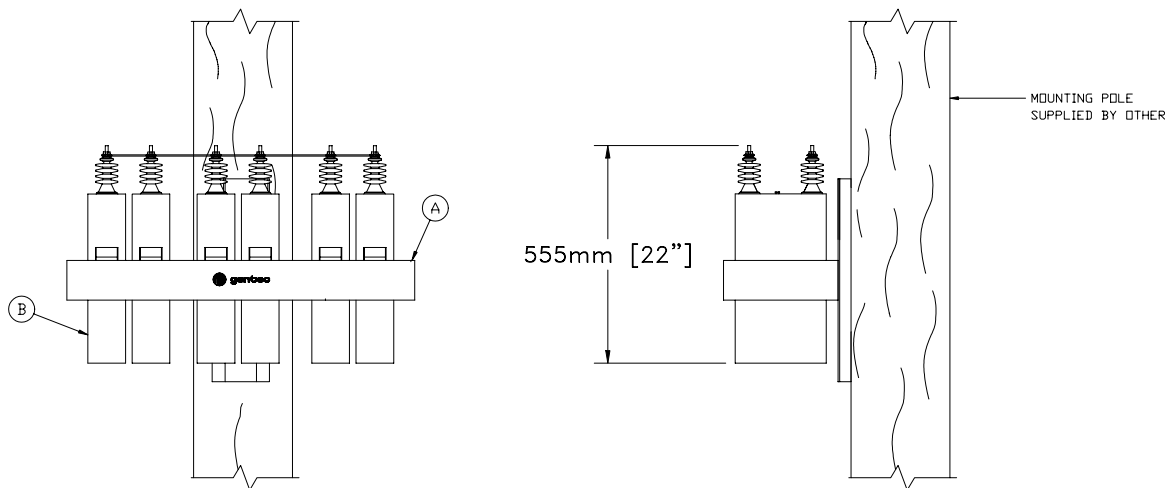
_____ KVARs, _____ VOLTS

A	POLE RACK MOUNTED	1
B	CAPACITOR _____ KVARs, _____ KV, 2 BUSHINGS, 95 KV BIL	6



POLE MOUNTED CAPACITOR BANK

RATED POWER: _____ KVARs
 RATED VOLTAGE: _____ KV
 RATED CURRENT: _____ AMP.
 RATED FREQUENCY: _____ 60 Hz
 CONNECTION BANK: _____ Y UNGROUNDED
 INSULATION CLASS: _____ 95 KV



CLIENT/CUSTOMER	REF.	REVISION	DATE	✓
COM/P.O.#	TOLERANCE			
DOSSIER/FILE	DEC. t ± FRAC. t ± ANGLE T ± ✓			
<input type="checkbox"/> INFORMATION <input type="checkbox"/> APPROBATION APPROVAL <input type="checkbox"/> PRELIMINAIRE PRELIMINARY <input type="checkbox"/> SOUMISSION QUOTATION <input type="checkbox"/> AUTRE OTHER	✓ ✓ M Simard DATE 03/09/29		6 CAP. FIXED BANK _____ KVARs, _____ KV POLE MOUNTED BANK	
			SK-6065	A4