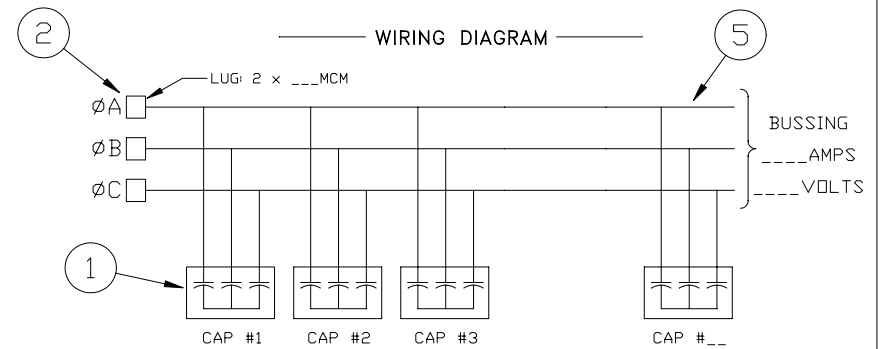


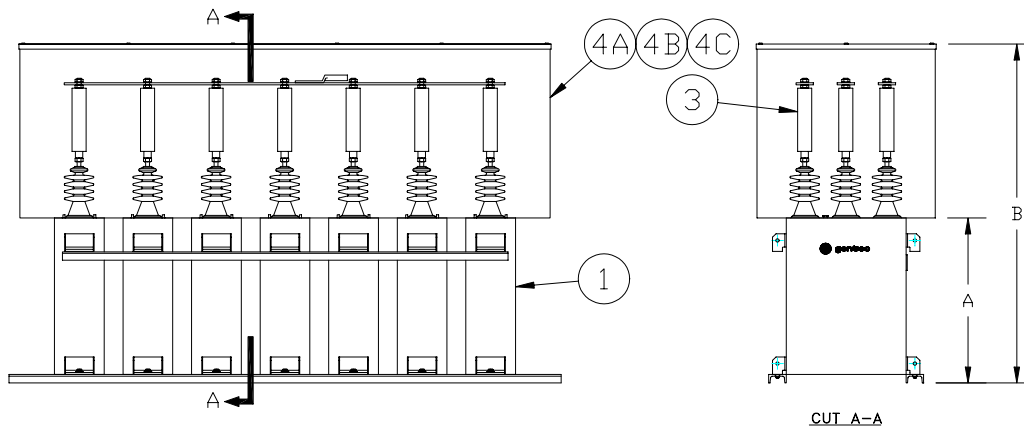
DIMENSIONS (2400V)			DIMENSIONS (4160V)			DIMENSIONS (6900V)		
KVAR	A	B	KVAR	A	B	KVAR	A	B
50	315	835	50	325	845	50	-	-
75	365	885	75	435	955	75	-	-
100	455	975	100	545	1065	100	315	835
150	485	1005	150	475	995	150	415	935
200	605	1125	200	595	1115	200	495	1015
250	715	1235	250	695	1215	250	595	1115
300	835	1355	300	815	1335	300	695	1215

MATERIAL LIST		
ITEM	DESCRIPTION	QTY
1	CAPACITOR, ___V,3P, NOKIA, ___KVAR	-
2	COMPRESSED LUG	-
*3	FUSE, CCF, 40KA RMS	-
4A	DISTR. CABINET CEMA-1	1
*4B	DISTR. CABINET CEMA-3R	1
*4C	DISTR. CABINET CEMA-12	1
5	COPPER BUS BAR TINNED	3

* IN OPTION



___ x ___ KVARS ___VOLTS ___Hz NEMA-___
___ KVARs TOTAL/BANK



A	SCHEMATIC ADDED	96/08/14	MS		
REF.	REVISION	DATE	✓	✓	✓
TOLERANCE					
DEC. t ± ---					
FRAC. t ±					
ANGLE T ±		BANQUE FIXE COND. M.T. (7 UNITES) PRESENTATION GENERALE			
√ ---		FIXED CAP. BANKS H.V. (7 UNITS) GENERAL PRESENTATION			
√		M. Simard			
√		DATE 94/06/10		SK-3386	
PROJECTION				A3	