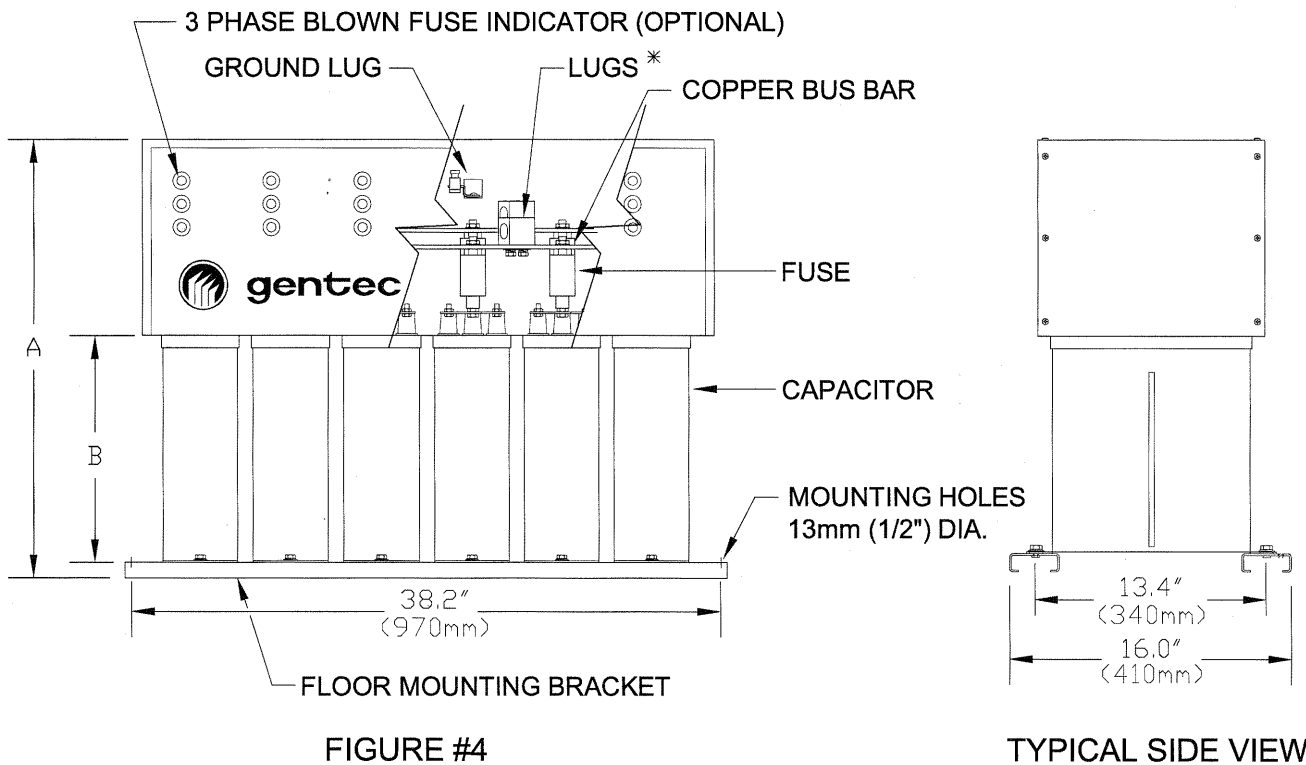
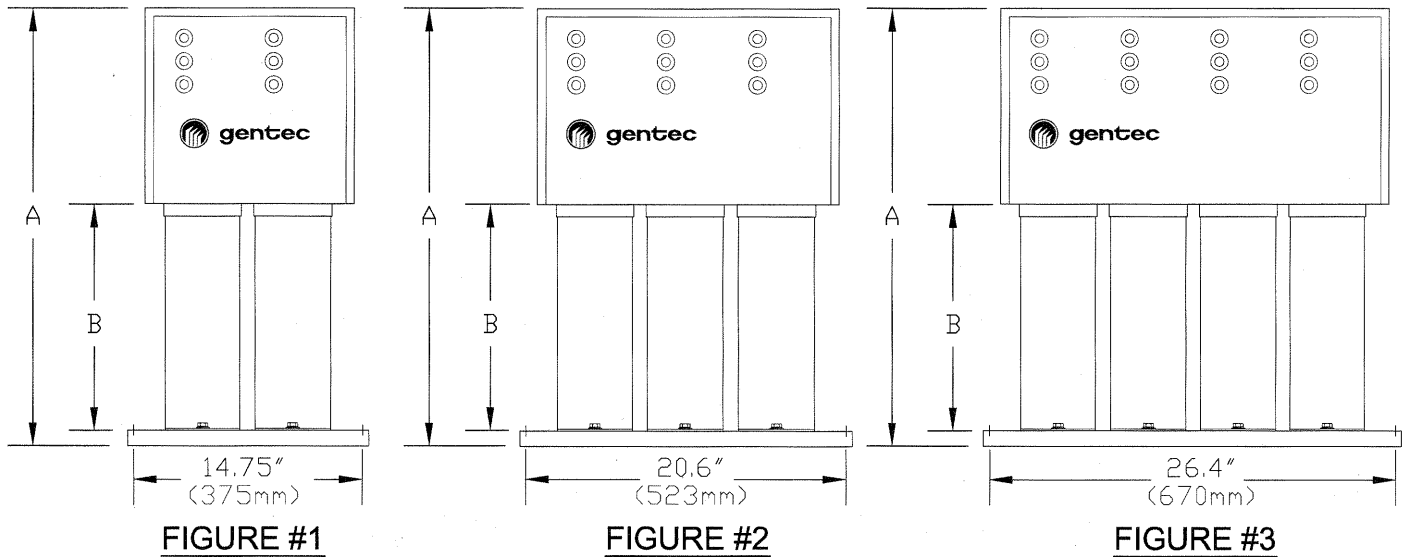


GENTEC INDUSTRIAL LOW VOLTAGE CAPACITORS



* IN 6 UNIT FIXED CAPACITOR BANK, LUGS ACCEPT 3 CABLES, FROM #0 AWG TO 500 MCM PER PHASE
 IN 3 OR 4 UNIT FIXED CAPACITOR BANK, LUGS ACCEPT 2 CABLES, FROM #0 AWG TO 500 MCM PER PHASE
 IN 2 UNIT FIXED CAPACITOR BANK, LUGS ACCEPT 1 CABLE, FROM #0 AWG TO 500 MCM PER PHASE
 IF OTHER LUGS ARE REQUIRED, PLEASE CONTACT GENTEC REPRESENTATIVE.