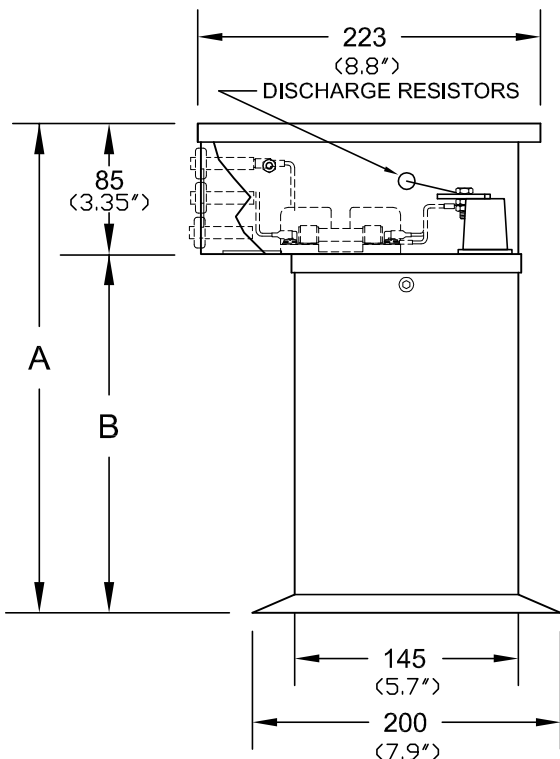
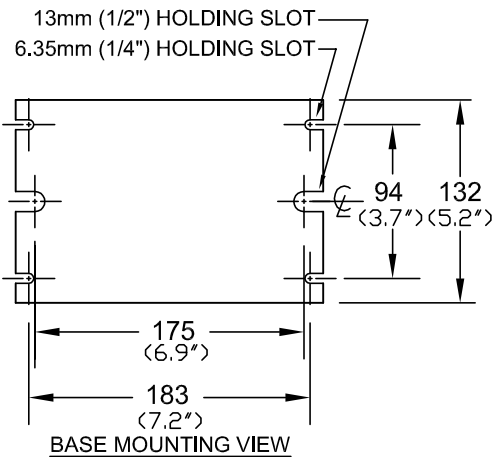
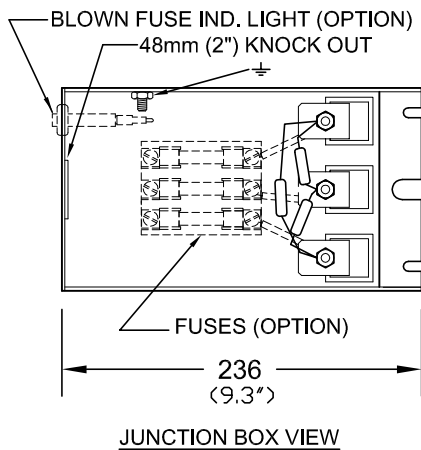


GENTEC INDUSTRIAL LOW VOLTAGE CAPACITORS

3 PHASE CAPACITOR SPECIFICATION

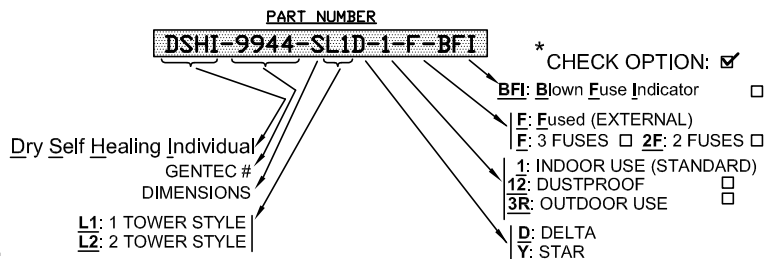
- **TYPE** DRY SELF-HEALING CAPACITOR DESIGN
- **RATED VOLTAGE** 600V, 60 Hz
- **OVER VOLTAGE** 1.10 U_N CONTINUOUS
1.15 U_N 30 MIN/DAY
- **OVER CURRENT** 1.35 U_N CONTINUOUS
- **STANDARD** CSA, UL, IEC, VDE AND BS
- **INSULATION CLASS** 3 KV RMS / 15 KV PEAK
- **LOSSES** LESS THAN 0.4 WATT / KVAR
- **OPERATING AMBIENT TEMPERATURE** -40°C / +40°C (-40°F / +104°F)
- **MAXIMUM AMBIENT TEMPERATURE** +50°C (+122°F)
- **DIELECTRIC METALLIZED POLYPROPYLENE FILM**
- **THIS INTERNALLY FUSED CAPACITOR IS SUPPLIED WITH EXTERNAL DISCHARGE RESISTORS AND TERMINAL BOX.**
- **CELL LIFE: 20 YEAR (200,000 HOUR) DESIGN**

NEW COOL DESIGN
SPECIAL HIGH EFFICIENCY
HEAT TRANSFERT PACKAGE



3 PHASE CAPACITORS 600V 60Hz							
KVAR	PART # DSHI-_____	WEIGHT		DIMENSIONS			
		KG	LBS	A		B	
				MM	INCHES	MM	INCHES
3	21555-ML1D-_*	7.5	16.5	230	9.1	145	5.7
6	21556-ML1D-_*	7.5	16.5	230	9.1	145	5.7
7.5	21363-ML1D-_*	7.5	16.5	230	9.1	145	5.7
10	9932-ML1D-_*	7.5	16.5	230	9.1	145	5.7
12.5	21364-ML1D-_*	7.5	16.5	230	9.1	145	5.7
15	9935-FL1D-_*	7.5	16.5	330	13.0	245	9.6
20	9938-FL1D-_*	7.5	16.5	330	13.0	245	9.6
25	9941-SL1D-_*	9.0	20.0	425	16.7	340	13.4
30	9944-SL1D-_*	9.0	20.0	425	16.7	340	13.4

* SEE OPTION



ISO 9001
CERTIFICATION

CONSTRUCTION
STANDARD UL-CSA



gentec
WITH NOKIAN CAPACITOR

SK-3355 L1
10/07/20