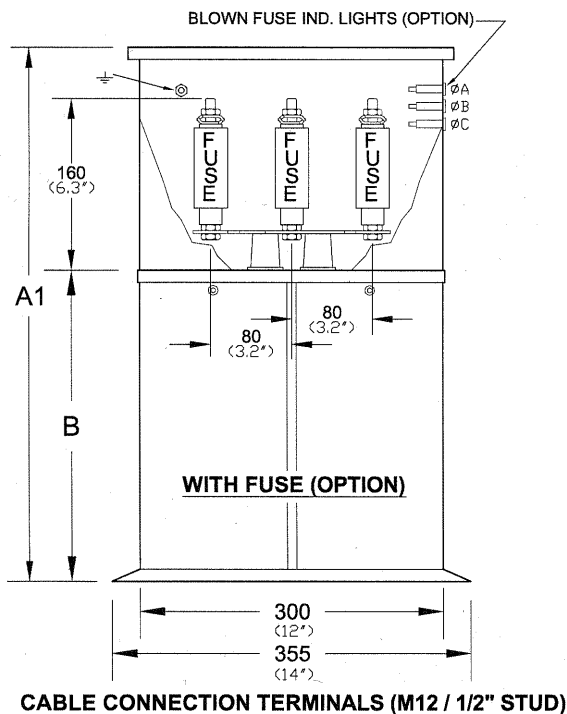
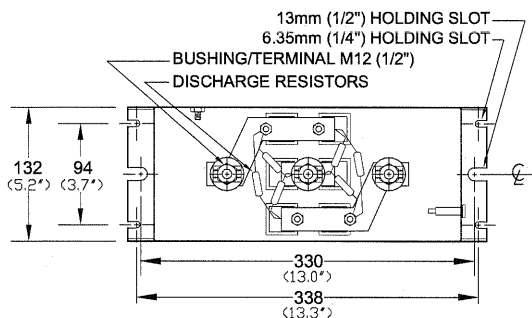


# GENTEC INDUSTRIAL LOW VOLTAGE CAPACITORS

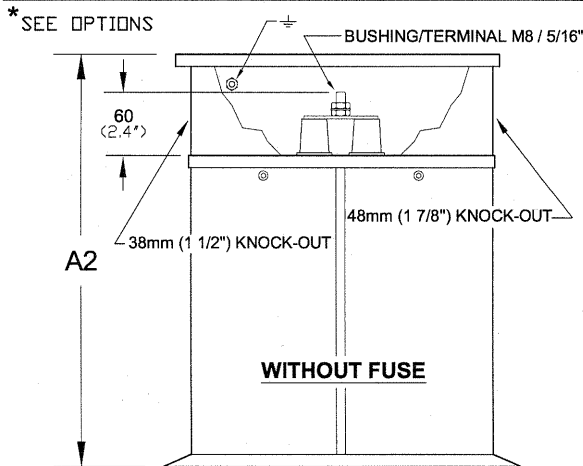
## 3 PHASE CAPACITOR SPECIFICATION

- **TYPE** DRY SELF-HEALING CAPACITOR DESIGN
- **RATED VOLTAGE** 480V, 60 Hz
- **OVER VOLTAGE** 1.10 U<sub>N</sub> CONTINUOUS  
1.15 U<sub>N</sub> 30 MIN/DAY
- **OVER CURRENT** 1.35 U<sub>N</sub> CONTINUOUS
- **STANDARD** CSA, UL, IEC, VDE AND BS
- **INSULATION CLASS** 3 KV RMS / 15 KV PEAK
- **LOSSES** LESS THAN 0.4 WATT / KVAR
- **OPERATING AMBIENT TEMPERATURE** -40°C / +40°C (-40°F / +104°F)
- **MAXIMUM AMBIENT TEMPERATURE** +50°C (+122°F)
- **DIELECTRIC METALLIZED POLYPROPYLENE FILM**
- **THIS INTERNALLY FUSED CAPACITOR IS SUPPLIED WITH EXTERNAL DISCHARGE RESISTORS AND TERMINAL BOX.**
- **CELL LIFE: 20 YEAR (200,000 HOUR) DESIGN**

**NEW COOL DESIGN**  
**SPECIAL HIGH EFFICIENCY**  
**HEAT TRANSFERT PACKAGE**



3 PHASE CAPACITORS 480V 60Hz									
KVAR	PART # DSHI-_____	WEIGHT		DIMENSIONS					
		KG	LBS	A1		A2		B	
25	21372-ML2D-*	9	20.0	365	14.4	245	9.6	145	5.7
30	21373-FL2D-*	11	24.0	460	18.1	340	13.4	240	9.5
35	31239-FL2D-*	11	24.0	460	18.1	340	13.4	240	9.5
40	21374-FL2D-*	11	24.0	460	18.1	340	13.4	240	9.5
45	31240-FL2D-*	13	29.0	460	18.1	340	13.4	240	9.5
50	21375-FL2D-*	13	29.0	460	18.1	340	13.4	240	9.5
60	21376-SL2D-*	14	31.0	560	22.0	440	17.3	340	13.4
70	22652-SL2D-*	15	33.0	560	22.0	440	17.3	340	13.4
75	21377-SL2D-*	15	33.0	560	22.0	440	17.3	340	13.4
80	22653-SL2D-*	17	37.5	560	22.0	440	17.3	340	13.4
90	22654-AL2D-*	19	42.0	660	26.0	540	21.3	440	17.3
100	21378-AL2D-*	20	44.0	660	26.0	540	21.3	440	17.3



PART NUMBER  
**DSHI-21378-AL2D-1-F-BFI**

Dry Self Healing Individual  
GENTEC #  
DIMENSIONS  
L1: 1 TOWER STYLE  
L2: 2 TOWER STYLE

- \* CHECK OPTION:
- BFI: Blown Fuse Indicator
- F: Fused (EXTERNAL)
- F: 3 FUSES  2F: 2 FUSES
- 1: INDOOR USE (STANDARD)
- 12: DUSTPROOF
- 3R: OUTDOOR USE
- D: DELTA
- Y: STAR

ISO 9001  
CERTIFICATION

CONSTRUCTION  
STANDARD UL-CSA



**gentec**  
WITH NOKIAN CAPACITOR

**SK-6061 L2**  
08/03/27