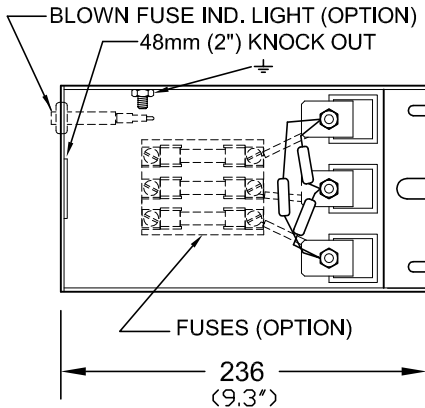


GENTEC INDUSTRIAL LOW VOLTAGE CAPACITORS

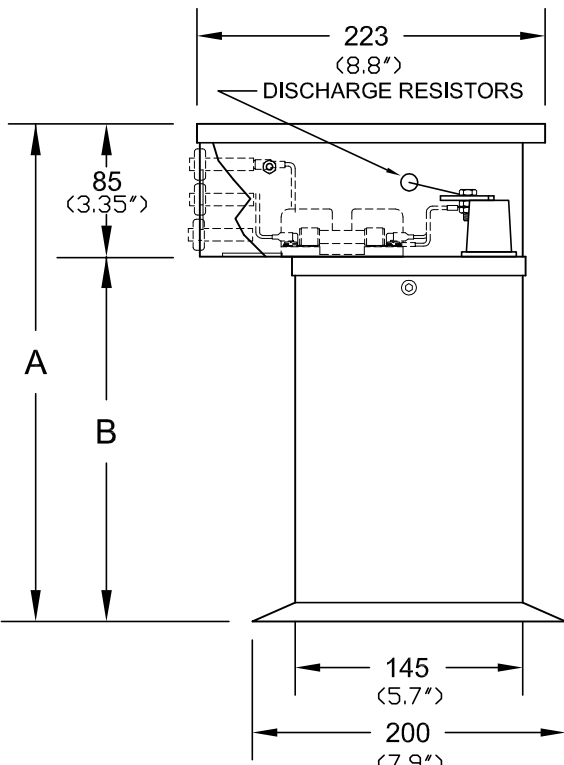
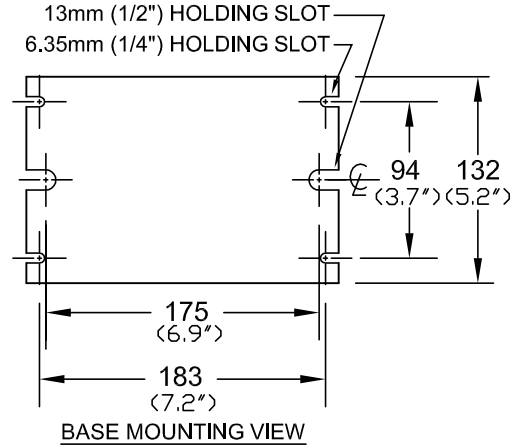
3 PHASE CAPACITOR SPECIFICATION

- **TYPE** DRY SELF-HEALING CAPACITOR DESIGN
- **RATED VOLTAGE** 480V. 60 Hz
- **OVER VOLTAGE** 1.10 U_N CONTINUOUS
1.15 U_N 30 MIN/DAY
- **OVER CURRENT** 1.35 U_N CONTINUOUS
- **STANDARD** CSA, UL, IEC, VDE AND BS
- **INSULATION CLASS** 3 KV RMS / 15 KV PEAK
- **LOSSES** LESS THAN 0.4 WATT / KVAR
- **OPERATING AMBIENT TEMPERATURE** -40°C / +40°C (-40°F / +104°F)
- **MAXIMUM AMBIENT TEMPERATURE** +50°C (+122°F)
- **DIELECTRIC METALLIZED POLYPROPYLENE FILM**
- **THIS INTERNALLY FUSED CAPACITOR IS SUPPLIED WITH EXTERNAL DISCHARGE RESISTORS AND TERMINAL BOX.**
- **CELL LIFE: 20 YEAR (200,000 HOUR) DESIGN**

NEW COOL DESIGN
SPECIAL HIGH EFFICIENCY
HEAT TRANSFERT PACKAGE



JUNCTION BOX VIEW

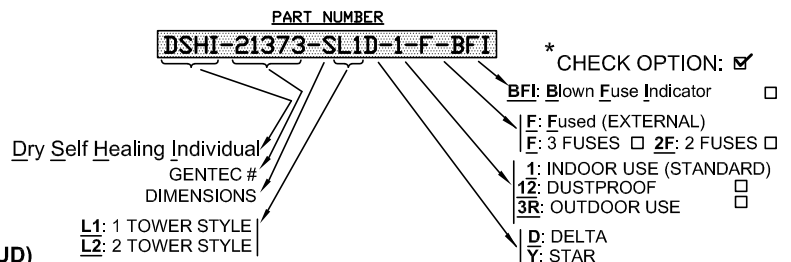


CABLE CONNECTION TERMINALS (M8 / 5/16" STUD)

3 PHASE CAPACITORS 480V 60Hz

KVAR	PART # DSHI-_____	WEIGHT		DIMENSIONS			
		KG	LBS	MM	INCHES	MM	INCHES
2	22650-ML1D-_*	8.6	19.0	230	9.1	145	5.7
3	22202-ML1D-_*	8.6	19.0	230	9.1	145	5.7
4	22651-ML1D-_*	8.6	19.0	230	9.1	145	5.7
5	21686-ML1D-_*	8.6	19.0	230	9.1	145	5.7
6	22203-ML1D-_*	8.6	19.0	230	9.1	145	5.7
7.5	21368-ML1D-_*	8.6	19.0	230	9.1	145	5.7
10	21369-ML1D-_*	8.6	19.0	230	9.1	145	5.7
12.5	31237-FL1D-_*	8.6	19.0	330	13.0	245	9.6
15	21370-FL1D-_*	8.6	19.0	330	13.0	245	9.6
17.5	31238-FL1D-_*	8.6	19.0	330	13.0	245	9.6
20	21371-FL1D-_*	9.5	21.0	330	13.0	245	9.6
25	21372-FL1D-_*	10.4	23.0	330	13.0	245	9.6
30	21373-SL1D-_*	11.3	25.0	425	16.7	340	13.4

* SEE OPTION



ISO 9001
CERTIFICATION

CONSTRUCTION
STANDARD UL-CSA



gentec
WITH NOKIAN CAPACITOR

SK-6060 L1
10/07/20