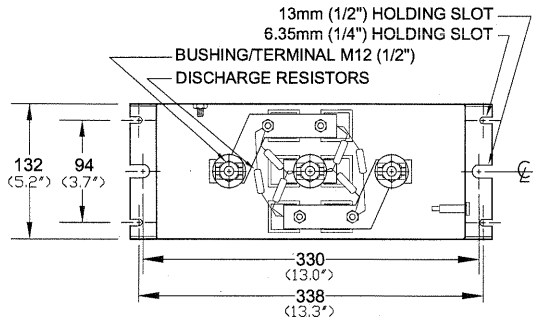


GENTEC INDUSTRIAL LOW VOLTAGE CAPACITORS

3 PHASE CAPACITOR SPECIFICATION

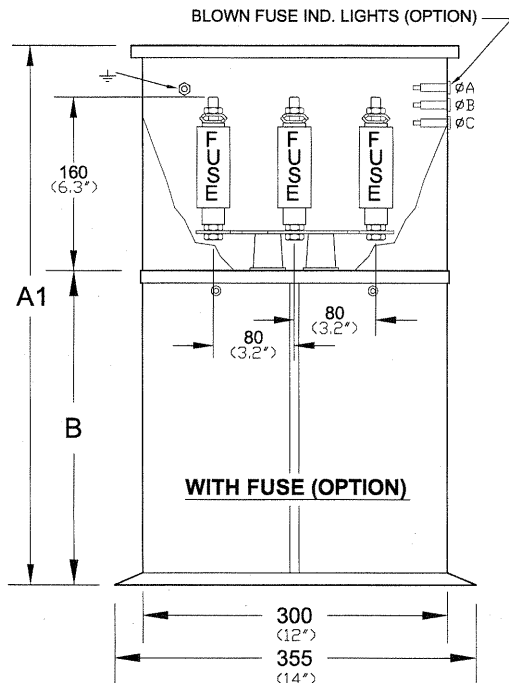
- **TYPE** DRY SELF-HEALING CAPACITOR DESIGN
- **RATED VOLTAGE** 208/240V. 60 Hz
- **OVER VOLTAGE** 1.10 U_N CONTINUOUS
1.15 U_N 30 MIN/DAY
- **OVER CURRENT** 1.35 U_N CONTINUOUS
- **STANDARD** CSA, UL, IEC, VDE AND BS
- **INSULATION CLASS** 3 KV RMS / 15 KV PEAK
- **LOSSES** LESS THAN 0.4 WATT / KVAR
- **OPERATING AMBIENT TEMPERATURE** -40°C / +40°C (-40°F / +104°F)
- **MAXIMUM AMBIENT TEMPERATURE** +50°C (+122°F)
- **DIELECTRIC METALLIZED POLYPROPYLENE FILM**
- **THIS INTERNALLY FUSED CAPACITOR IS SUPPLIED WITH EXTERNAL DISCHARGE RESISTORS AND TERMINAL BOX.**
- **CELL LIFE: 20 YEAR (200,000 HOUR) DESIGN**

NEW COOL DESIGN
SPECIAL HIGH EFFICIENCY
HEAT TRANSFERT PACKAGE

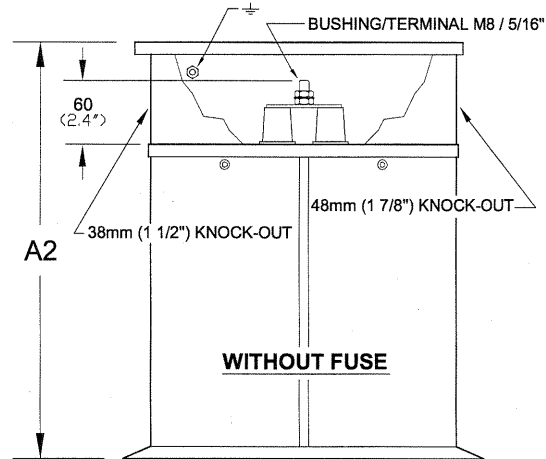


3 PHASE CAPACITORS 208/240V 60Hz										
KVAR	PART #	WEIGHT	DIMENSIONS							
			A1		A2		B			
208V	240V	DSHI-_____	KG	LBS	MM	IN	MM	IN	MM	IN
15	20	21361-FL2D-_*	11.2	24.5	460	18.1	340	13.4	240	9.5
20	25	21362-FL2D-_*	12.2	26.8	460	18.1	340	13.4	240	9.5
24	30	9947-FL2D-_*	12.2	26.8	460	18.1	340	13.4	240	9.5
30	40	9953-SL2D-_*	15.2	33.4	560	22.0	440	17.3	340	13.4
40	50	21687-AL2D-_*	16.2	35.6	660	26.0	540	21.3	440	17.3

*SEE OPTIONS



CABLE CONNECTION TERMINALS (M12 / 1/2" STUD)



PART NUMBER
DSHI-21378-AL2D-1-F-BFI

* CHECK OPTION: **BFI: Blown Fuse Indicator**
 F: Fused (EXTERNAL)
 F: 3 FUSES **2F: 2 FUSES**
 1: INDOOR USE (STANDARD)
 12: DUSTPROOF
 3R: OUTDOOR USE
 D: DELTA
 Y: STAR

Dry Self Healing Individual
GENTEC #
DIMENSIONS
L1: 1 TOWER STYLE
L2: 2 TOWER STYLE

ISO 9001
CERTIFICATION

CONSTRUCTION
STANDARD UL-CSA



gentec
WITH NOKIAN CAPACITOR

SK-3364 L2
08/03/27