

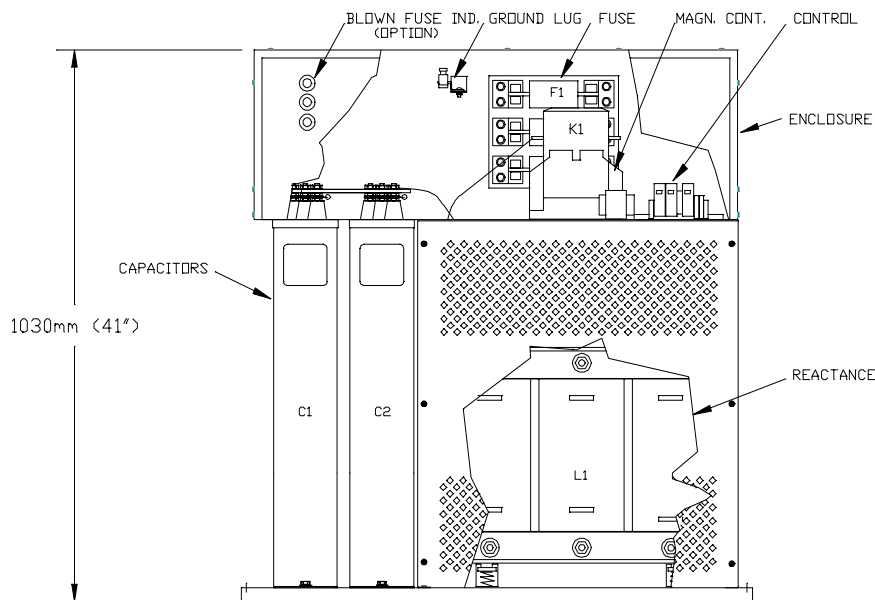
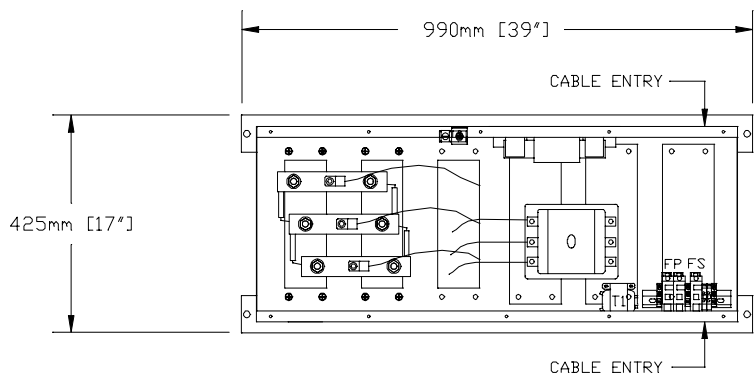
FIXED CAPACITOR BANK
DS100 SERIES I

_____ KVARs, _____ VOLTS

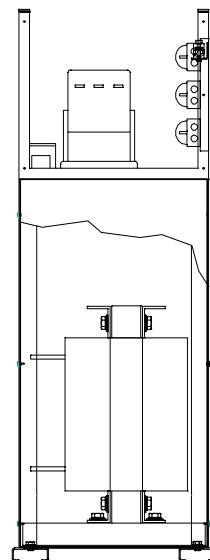
NEMA: __ | Kg/Lbs: 180/400

DIM: 1030 X 990 X 425mm
(41" x 39" x 17")

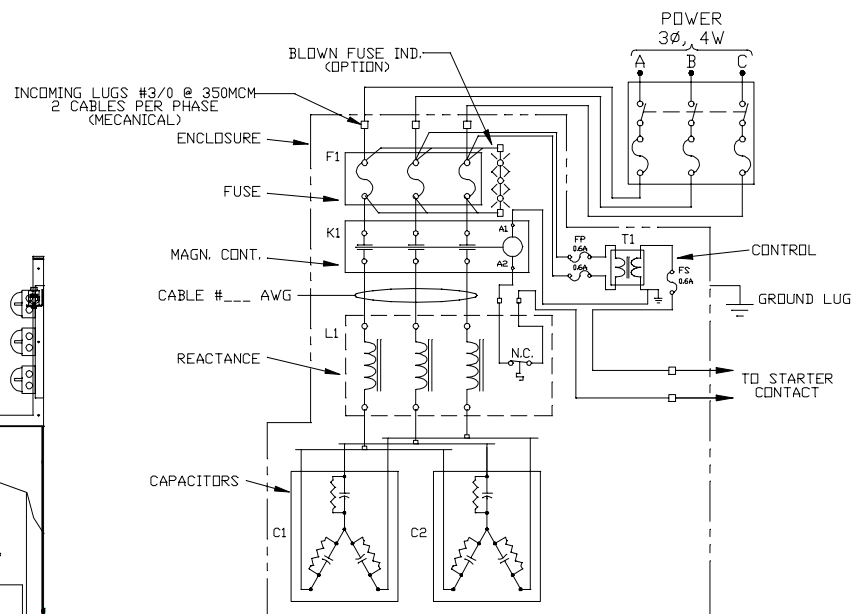
PLAN VIEW, WITHOUT COVER




ELEVATION VIEW



SIDE VIEW
(WITHOUT COVER)



CLIENT/CUSTOMER	REF.	REVISION	DATE	✓	✓
COM/P.O.#	TOLERANCE				
DOSSIER/FILE	DEC.	±			
	FRAC.	±			
	ANGLE	±	FIXED CAPACITOR BANK WITH FILTER GENERAL PRESENTATION		
<input type="checkbox"/> INFORMATION <input type="checkbox"/> APPROBATION APPROVAL <input type="checkbox"/> PRELIMINAIRE PRELIMINARY <input type="checkbox"/> SOUMISSION QUOTATION <input type="checkbox"/> AUTRE OTHER	✓ ✓ M Simard DATE 03/09/30	SK-6051			