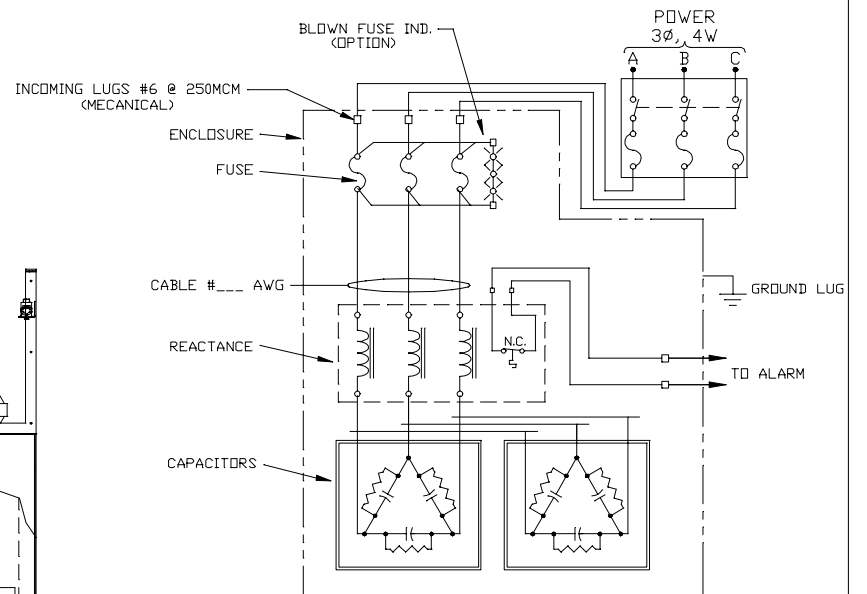
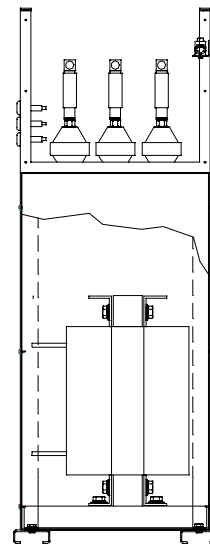
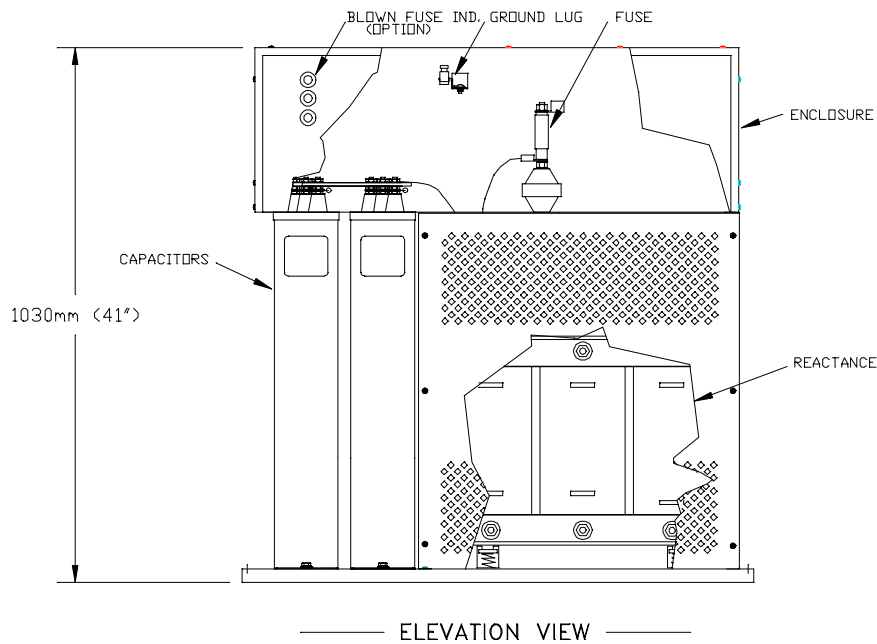
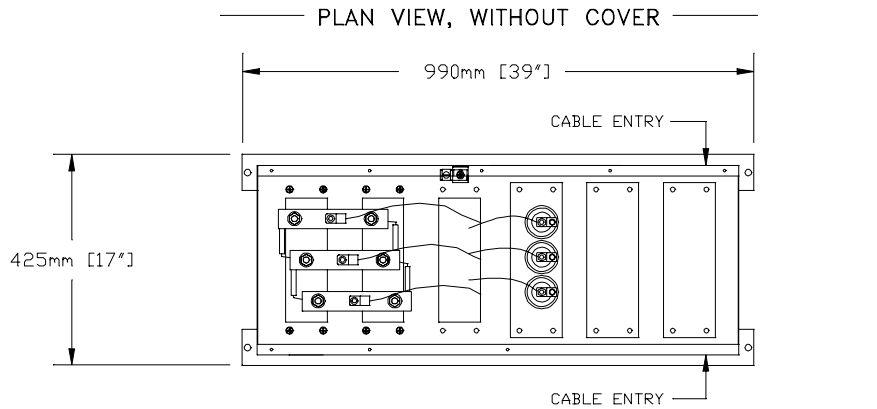


FIXED CAPACITOR BANK
DS100 SERIES I

_____ KVARs, _____ VOLTS

NEMA: __ | Kg/Lbs: 180/400

DIM: 1030 X 990 X 425mm
(41" X 39" X 17")



CLIENT/CUSTOMER	REF.	REVISION	DATE	✓	✓
COM/P.O.#	TOLERANCE			FIXED CAPACITOR BANK WITH FILTER	
DOSSIER/FILE	DEC. ±	GENERAL PRESENTATION			
	FRAC. ±				
	ANGLE ±				
<input type="checkbox"/> INFORMATION	✓				
<input type="checkbox"/> APPROBATION APPROVAL	✓				
<input type="checkbox"/> PRELIMINAIRE PRELIMINARY	✓				
<input type="checkbox"/> SOUMISSION QUOTATION	DATE 03/09/30				
<input type="checkbox"/> AUTRE OTHER					
		SK-6291		A4	