

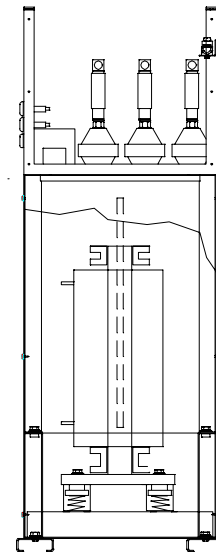
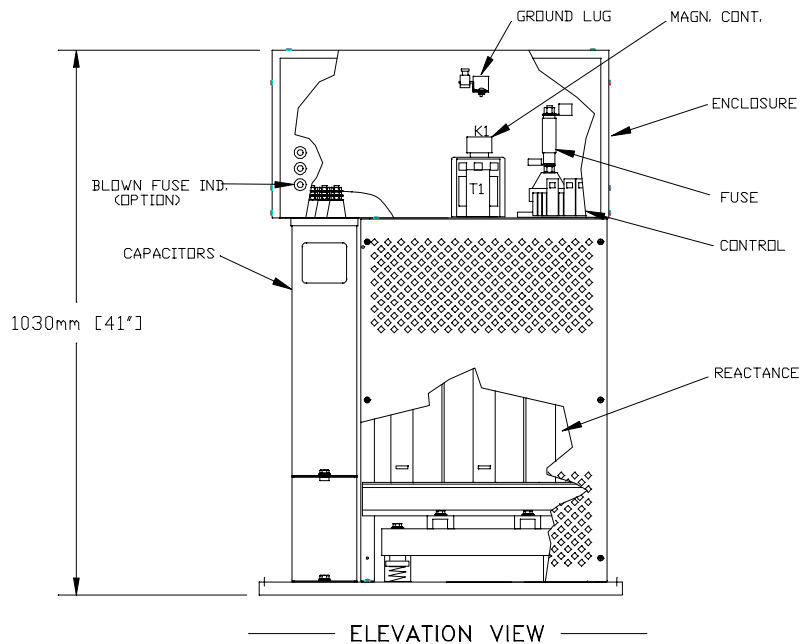
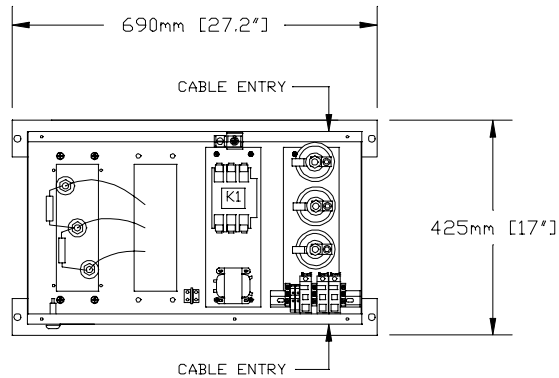
FIXED CAPACITOR BANK
DS100 SERIES I

_____ KVARs, _____ VOLTS

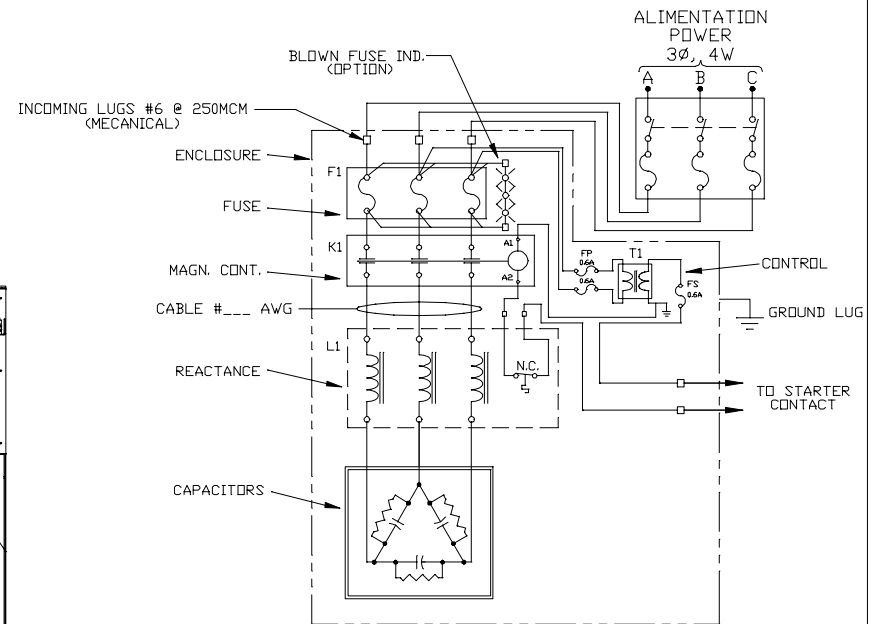
NEMA: __ | Kg/Lbs: 100/220

DIM: 1030 X 690 X 425mm
(41" x 27" x 17")

PLAN VIEW, WITHOUT COVER



SIDE VIEW
(WITHOUT COVER)



CLIENT/CUSTOMER	REF.	REVISION	DATE	✓	√
COM/P.O.# -----	TOLERANCE				
DOSSIER/FILE -----	DEC.	±			
	FRAC.	±			
	ANGLE	±			
<input type="checkbox"/> INFORMATION	√				
<input type="checkbox"/> APPROBATION APPROVAL	√				
<input type="checkbox"/> PRELIMINAIRE PRELIMINARY	UL				
<input type="checkbox"/> SOUMISSION QUOTATION	DATE 03/09/30				
<input type="checkbox"/> AUTRE OTHER	SA				
		FIXED CAPACITOR BANK WITH FILTER GENERAL PRESENTATION			
		SK-6048			A4