

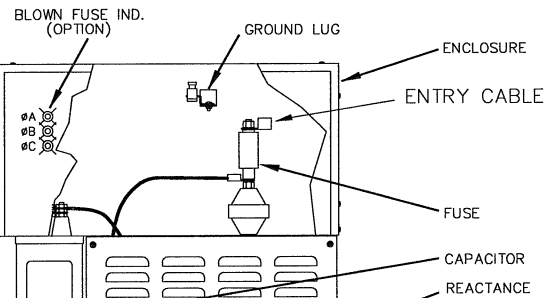
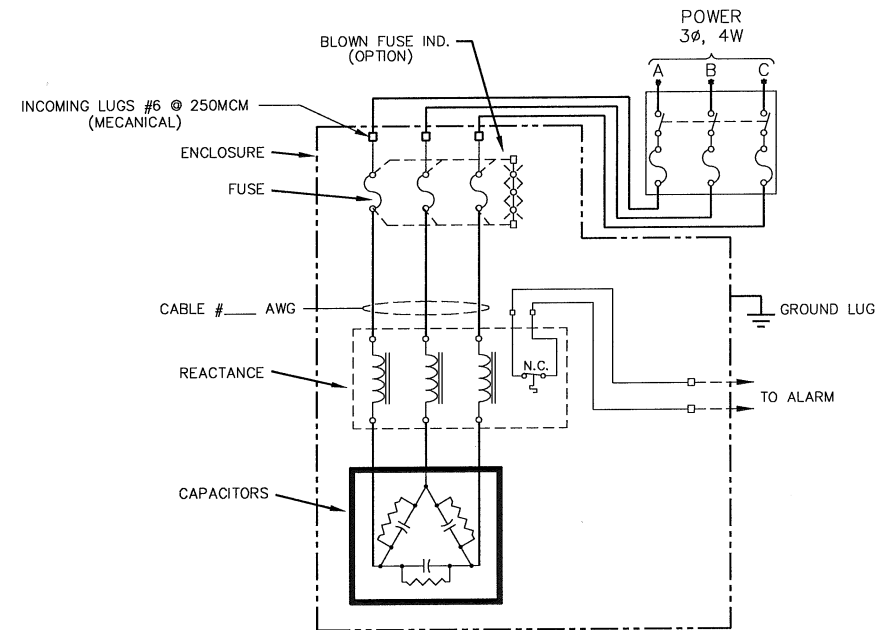
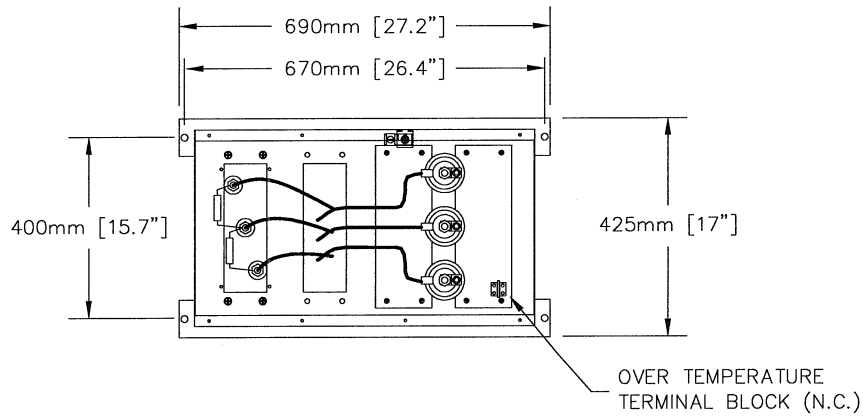
FIXED FILTER BANK

____ KVARs, ____ VOLTS

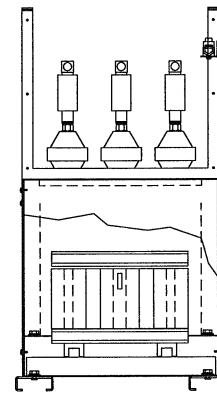
NEMA: __ Kg/Lbs: 70/150

DIM: 700 X 690 X 425mm
(27.5" x 27" x 17")

PLAN VIEW, WITHOUT COVER




ELEVATION VIEW



SIDE VIEW
(WITHOUT COVER)

FRONT OF UNIT SHOULD BE CLEAR FOR EASY
REMOVAL OF THE PANEL REQUIRED FOR MAINTENANCE

| CLIENT/CUSTOMER | REF. | REVISION | DATE | ✓ | ✓ |
|---------------------------------------|-----------------|----------|---|---|-----------|
| COM/P.O.# | TOLERANCE | |  gentec | | |
| DOSSIER/FILE | DEC. t ± | | | | |
| | FRAC. t ± | | | | |
| | ANGLE T ± | | <input checked="" type="checkbox"/> INFORMATION | | |
| <input type="checkbox"/> APPROBATION | ✓ | | <input checked="" type="checkbox"/> DS100 & DS200 | | |
| <input type="checkbox"/> PRELIMINAIRE | M Simard | | <input checked="" type="checkbox"/> SINGLE FIXED CAPACITOR WITH FILTER | | |
| <input type="checkbox"/> SOUMISSION | DATE 2005/04/12 | | <input checked="" type="checkbox"/> GENERAL PRESENTATION | | |
| <input type="checkbox"/> AUTRE | --- | | SK-6365 | | A4 |
| <input type="checkbox"/> OTHER | --- | | | | |